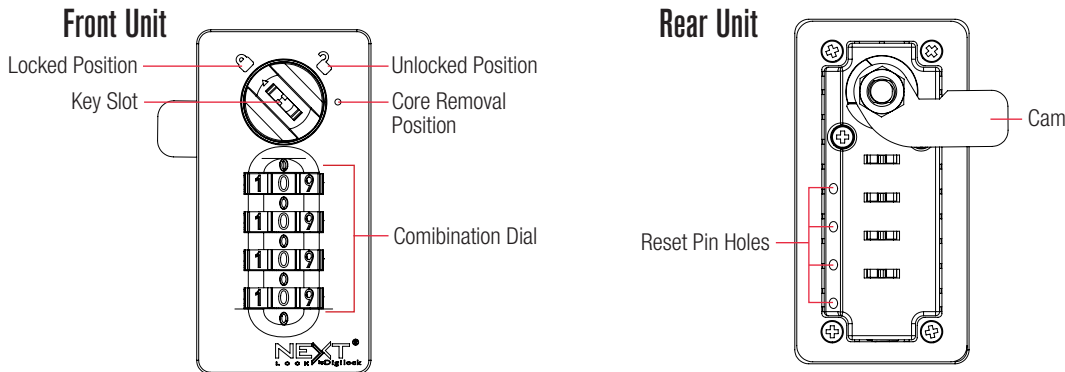
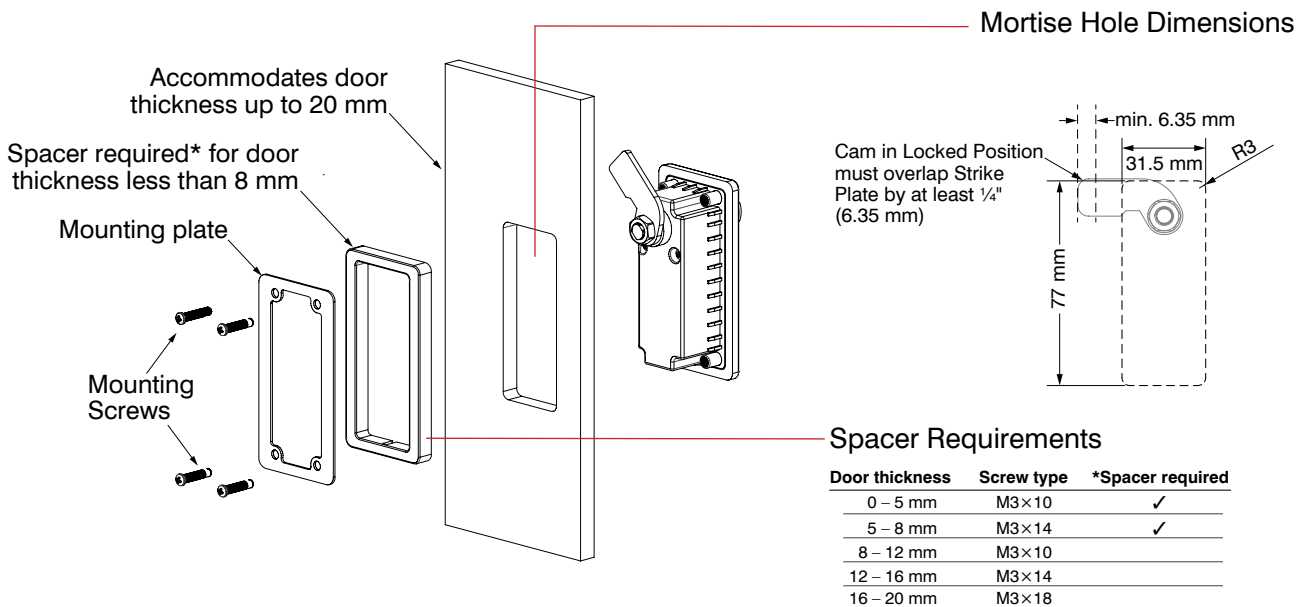


Lock Parts





Installation Guide

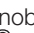


Operate with a Combination

To Lock:


1. Close the door.
2. Make sure the knob is in the unlocked  position.
3. Set any 4-digit combination.
4. Turn the knob to the locked  position.
5. Scramble the combination.

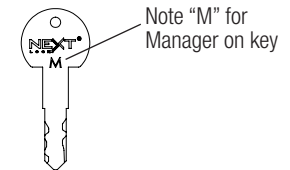
To Unlock:

1. Enter your 4-digit combination.
2. Turn the knob to the unlocked  position.
3. Open the door.
4. Scramble the combination.

Operate with a Manager Key

To Unlock with Manager Key:

1. Insert the Manager Key.
2. Turn the knob to the unlocked  position.
3. Open the door.



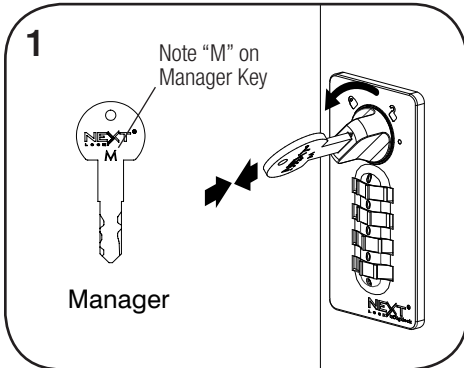
Manager

Note: The Manager key provides instant access but does not erase the code. The original code will continue to operate the lock even when unlocking with the Manager Key.

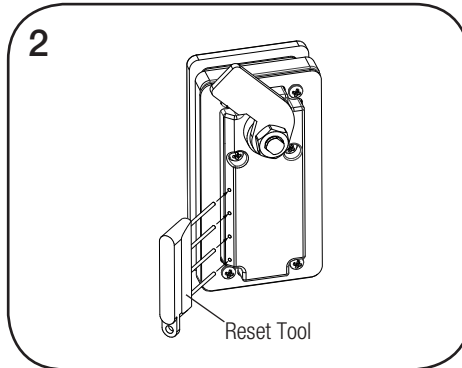
If opened in error, use the Manager Key to turn the lock to the locked  position.

If the code is forgotten, follow the [Reset Combination](#) steps to make the lock available for another user.

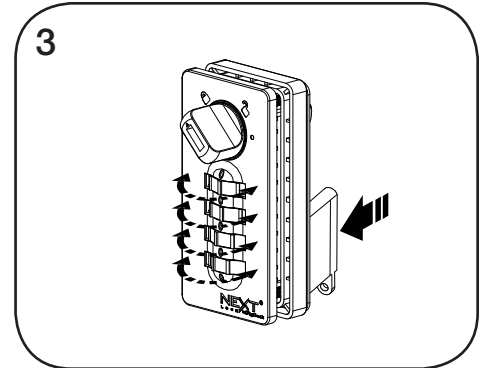
Reset Combination



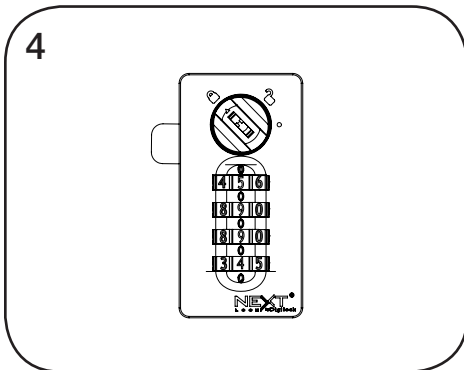
After opening the door with the Manager Key, leave the door open and use the Manager Key to turn the knob to the "Locked" position. Remove the Manager Key.



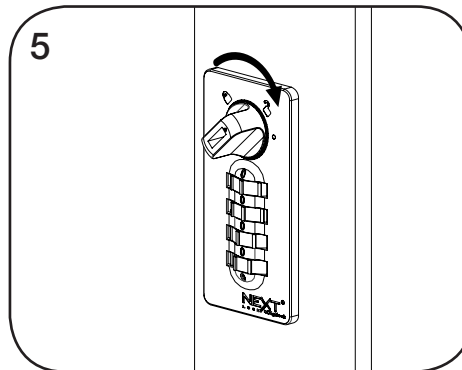
Insert the Reset Tool into the four pin holes on the rear of the unit.



Push in the Reset Tool and simultaneously turn all dials until they stop.



The final code displayed is the current code. In this example, the combination was 5-9-9-4.



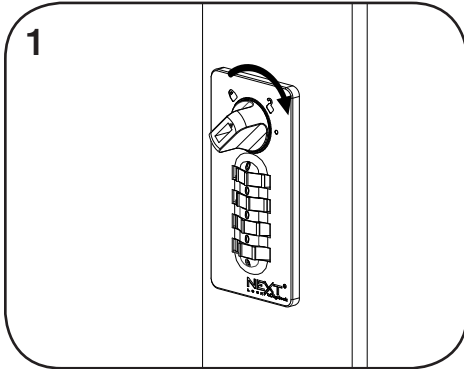
Remove the Reset Tool and turn the knob to the unlocked  position.


The Dial Combo has been reset and is ready for use.

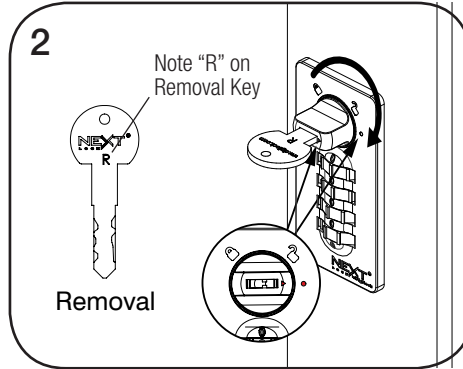
Replace Key Set and Core



Please contact support@digilock.com if your Manager or Remove key(s) are lost or stolen to purchase a new set of keys and replacement cores for all locks.

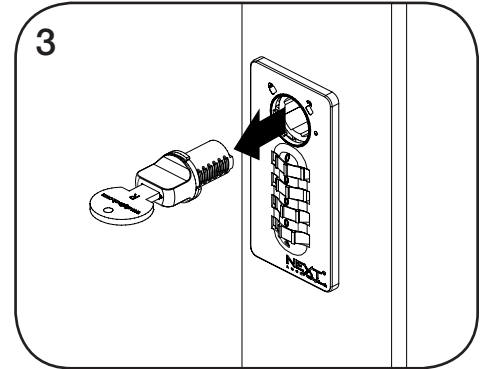
If your Manager Key was lost or stolen, you can remove lock cores with your existing Removal key. Once you remove the lock cores, contact support@digilock.com to purchase a new set of keys and lock cores.



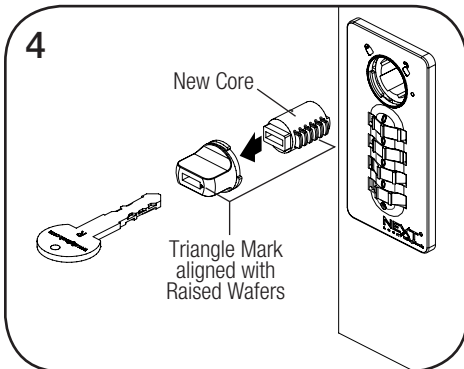
1 Turn the knob to the unlocked  position.

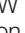


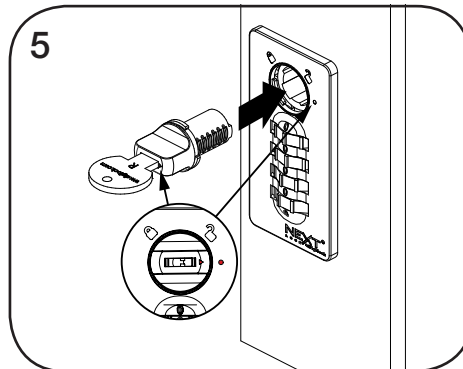
2 Insert the old Removal Key.
Turn the Knob to the Core Removal Position. The triangle mark on the Knob  will align with the circle mark  on the face.


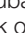


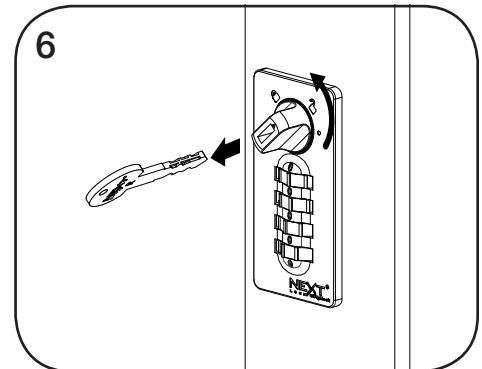
3 Pull the Removal Key to remove the old Knob and Core.




4 Insert the replacement Removal Key into the old Knob and place the NEW Core on the Knob. The triangle mark  on the knob should be aligned with the Raised Wafers.



5 Insert the new Core subassembly into the lock. The triangle mark on the Knob  will align with the circle mark  on the face.



6 Turn the knob to the locked  position.
Remove the Replacement Removal Key.