

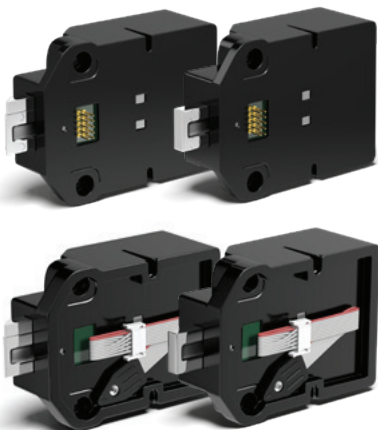


**NEXT**  
LOCK by Digilock®

# range™

## Installation Guide

- Range Oval Front Unit (Keypad and RFID)
- Range Narrow Front Unit (Keypad and RFID)
- Range Standard Front Unit (Keypad and RFID)
- Range Rear Unit (Latch and Bolt 5G)



4G Rear Units (Latch and Bolt)



# Table of Contents

---

|                                       |   |
|---------------------------------------|---|
| <b>Before Lock Installation</b> ..... | 3 |
|---------------------------------------|---|

## Surface Mount Installation

For door thickness measuring between .16" - .91" (4 mm - 23 mm)

|                          |   |
|--------------------------|---|
| Required Components..... | 4 |
| Installation.....        | 5 |

For door thickness measuring between .01" - .16" (0.2mm - 4 mm)

|                          |   |
|--------------------------|---|
| Required Components..... | 7 |
| Installation.....        | 8 |

## Door Preparation

Strike Plate Installation

|                          |    |
|--------------------------|----|
| Required Components..... | 10 |
| Installation.....        | 11 |

Door Mounting Holes Drill Instructions and Template

|  |    |
|--|----|
| Drill Instructions.....                    | 12 |
| Template for Standard & Vertical Body..... | 13 |

Metal Door Preparation

|                                  |    |
|----------------------------------|----|
| Compatibility Guide.....         | 14 |
| Removal of 3-hole Lock Plug..... | 14 |
| Removal of Padlock Hasp.....     | 15 |

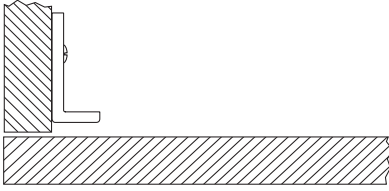
# Before Lock Installation

The door must be prepared for lock installation.

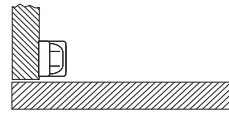
1

Strike Plate

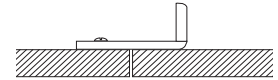
1. A strike plate must be installed.



Angled Strike Plate



Security Strike Plate  
*Recommended for latch products*



Double Door Strike Plate

2

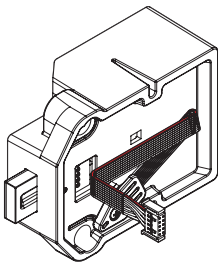
Door Mounting Holes

The door must have door mounting holes.

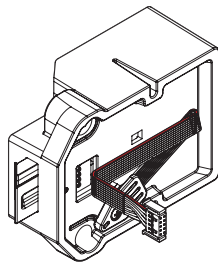


1 - Legacy Rear Units

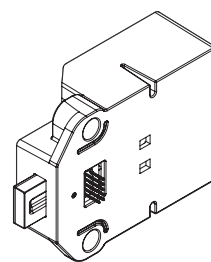
This installation guide is compatible for 4G Motorized Rear Units



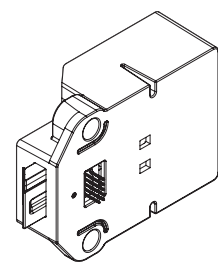
Deadbolt - Cable



Deadlatch - Cable



Deadbolt - Cable




Deadlatch - Cable

# Surface Mount Installation

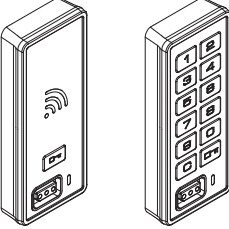
For door thickness measuring between .16" - .91" (4 mm - 23 mm)

## Required Components

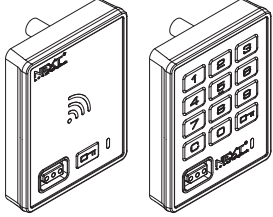
Tab Text



Oval Body  
RFID and Keypad

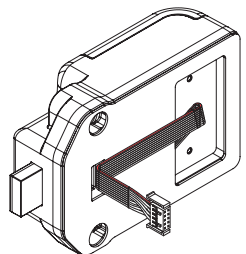


Narrow Body  
RFID and Keypad

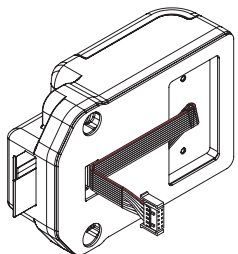


Standard Body  
RFID and Keypad

1 - Rear Units



Deadbolt - Cable




Deadlatch - Cable

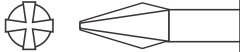
2 - Phillips Head Screws

| Screw Size | Length             | Door Thickness |              |
|------------|--------------------|----------------|--------------|
|            |                    | Min            | Max          |
| A          | 1" (25.400 mm)     | .01" (.2 mm)   | .16" (4 mm)  |
| B          | 1 1/4" (31.750 mm) | .16" (4 mm)    | .43" (11 mm) |
| C          | 1 1/2" (38.100 mm) | .43" (11 mm)   | .67" (17 mm) |
| D          | 1 3/4" (44.450 mm) | .67" (17 mm)   | .91" (23 mm) |

2 - Split Lock Washers



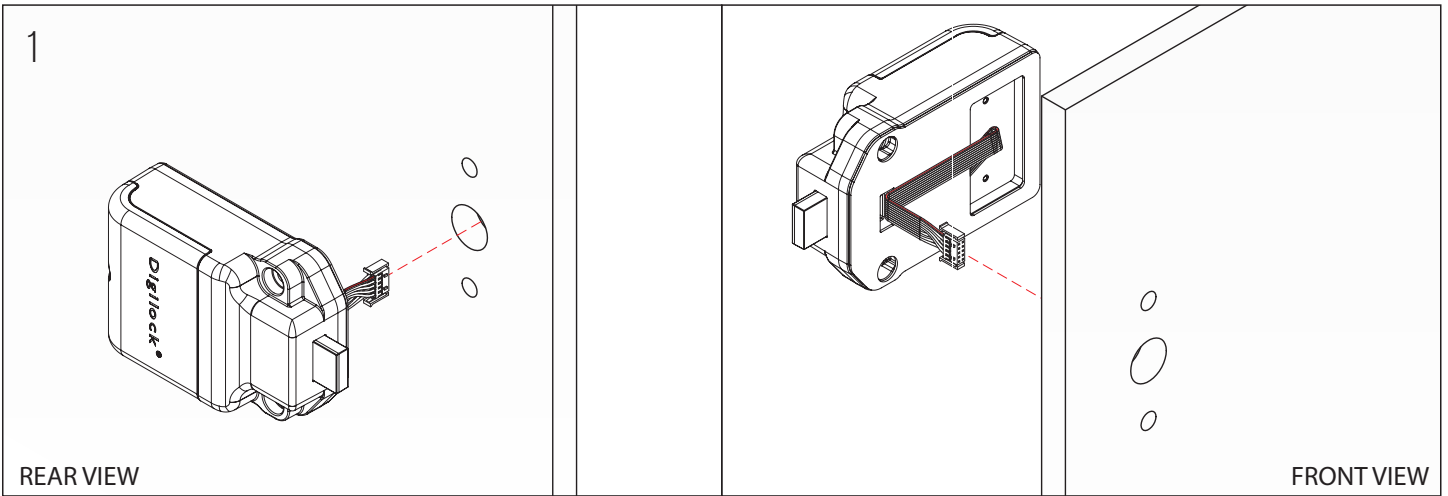
1\* - Phillips Head Screwdriver (#2)



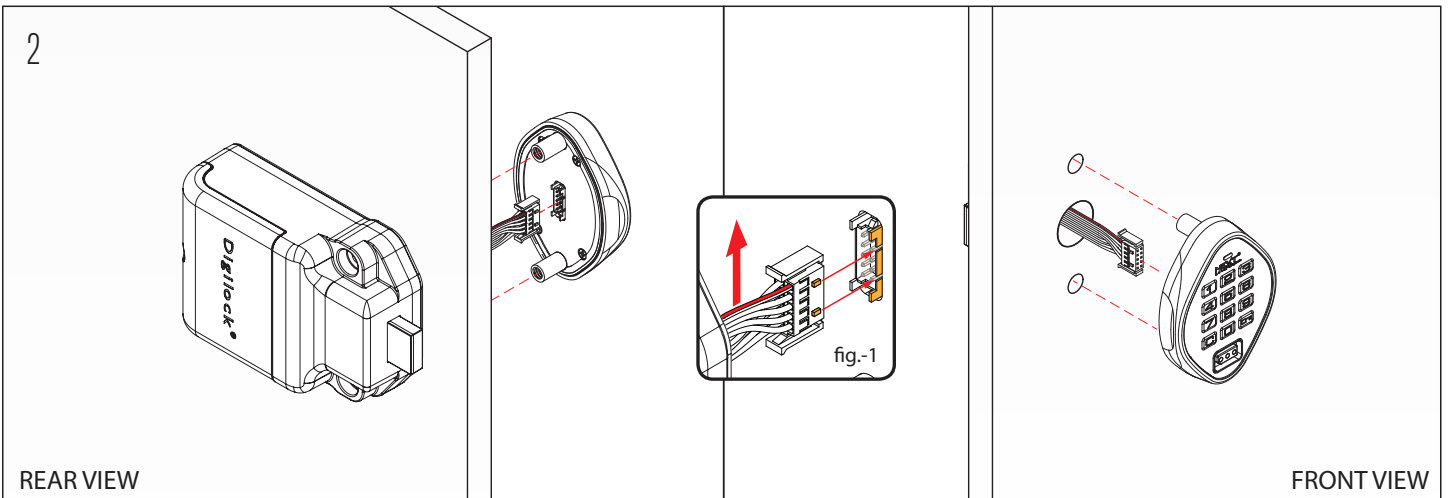
\*Not included

# Installation

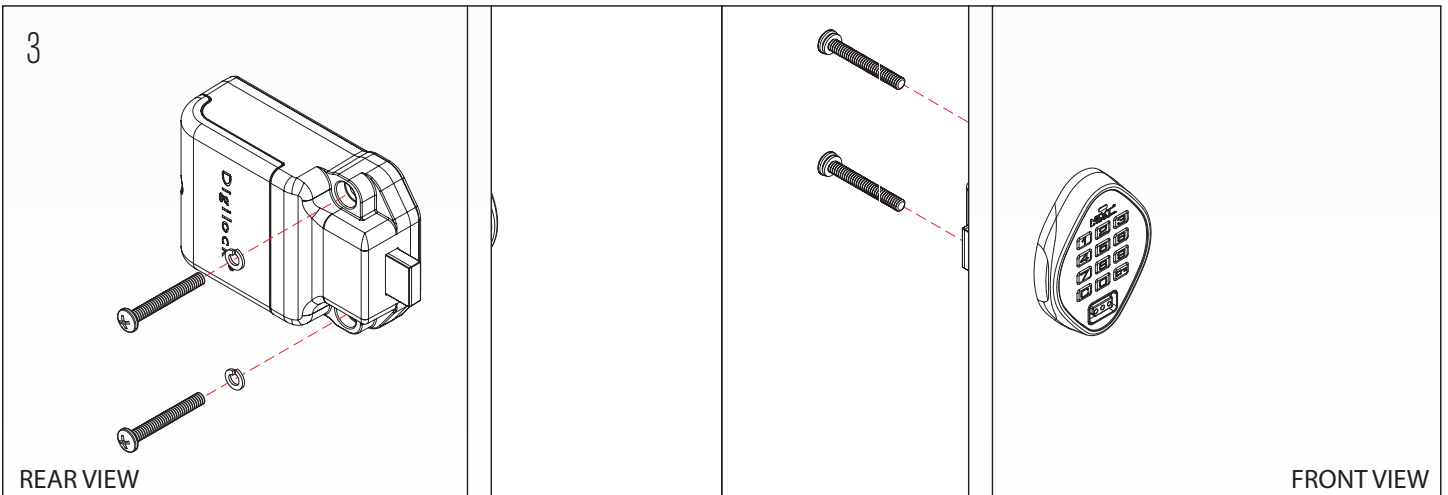
For illustration, a oval body keypad front unit with a bolt rear unit is used.



With the rear unit behind the door, extend the cable through the door's mounting hole.

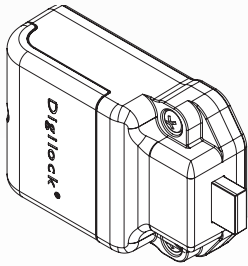


Orient the cable with the red wire position on the top of the ribbon (see fig-1). Attach the cable to the front unit using the corresponding channel guides to ensure the snap connector is properly secured. Once connected a triple beep indicates successful connection.



Hold the front and rear units against the door and secure with the mounting screws. Ensure the remaining cable is not pinched.

4



REAR VIEW

FRONT VIEW

Test the lock while the door is open to ensure that the bolt or latch is operating properly.



For keypad locks with deadbolt rear units:

Press to extend the bolt.  
Press again to retract the bolt.



For touch RFID locks with deadbolt rear units:

Press RFID to extend the bolt.  
Press RFID again to retract the bolt.



For keypad locks with deadlatch rear units:

Press to retract the latch.  
The latch will extend automatically.



For touch RFID locks with deadlatch rear units:

Press RFID to retract the latch.  
The latch will extend automatically.

Repeat test with the door closed.

If ten rapid beeps are heard, the strike plate or door alignment may need adjustment to allow the lock to operate properly.

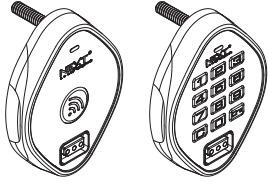
If the door does not lock when the bolt/latch is extended, the strike plate or lock position may need adjustment.

# Surface Mount Installation

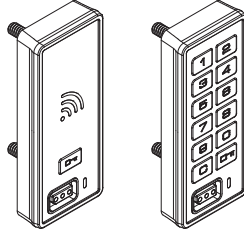
For door thickness measuring between .01" - .16" (0.2 mm - 4 mm)

## Required Components

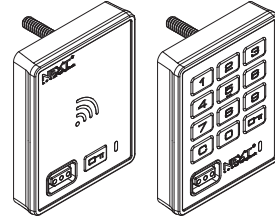
Tab Text



Oval Body  
RFID and Keypad

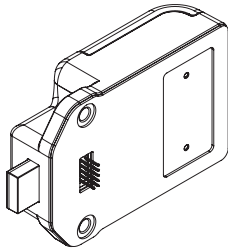


Narrow Body  
RFID and Keypad

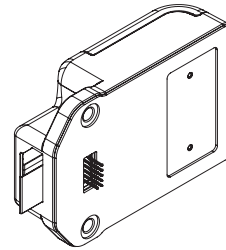


Standard Body  
RFID and Keypad

1 - Rear Units

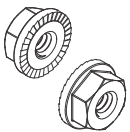


Deadbolt - Cable



Deadlatch - Cable

2 - Locking Nuts



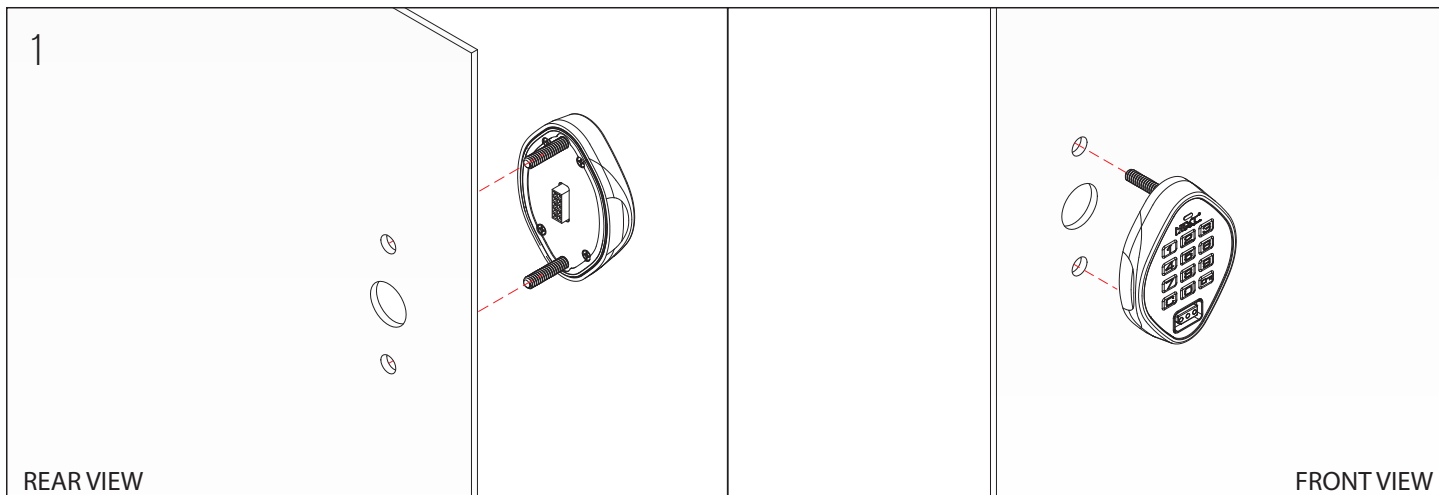
1\* - 3/8" Nut Driver



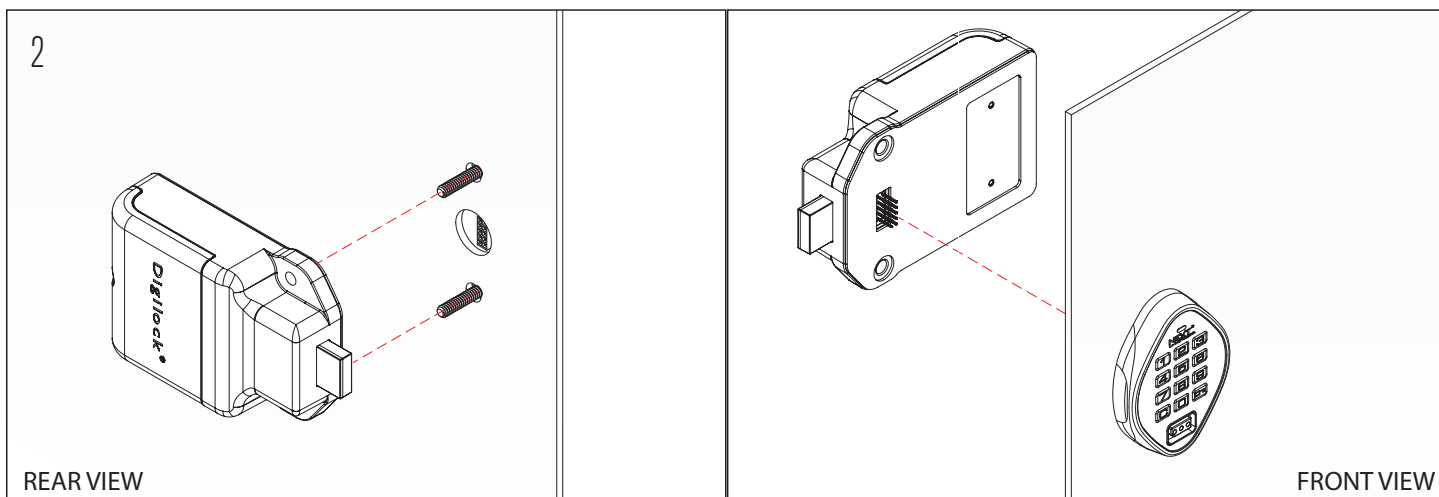
\*Not included

# Installation

For illustration, a oval body keypad front unit with a bolt rear unit is used.

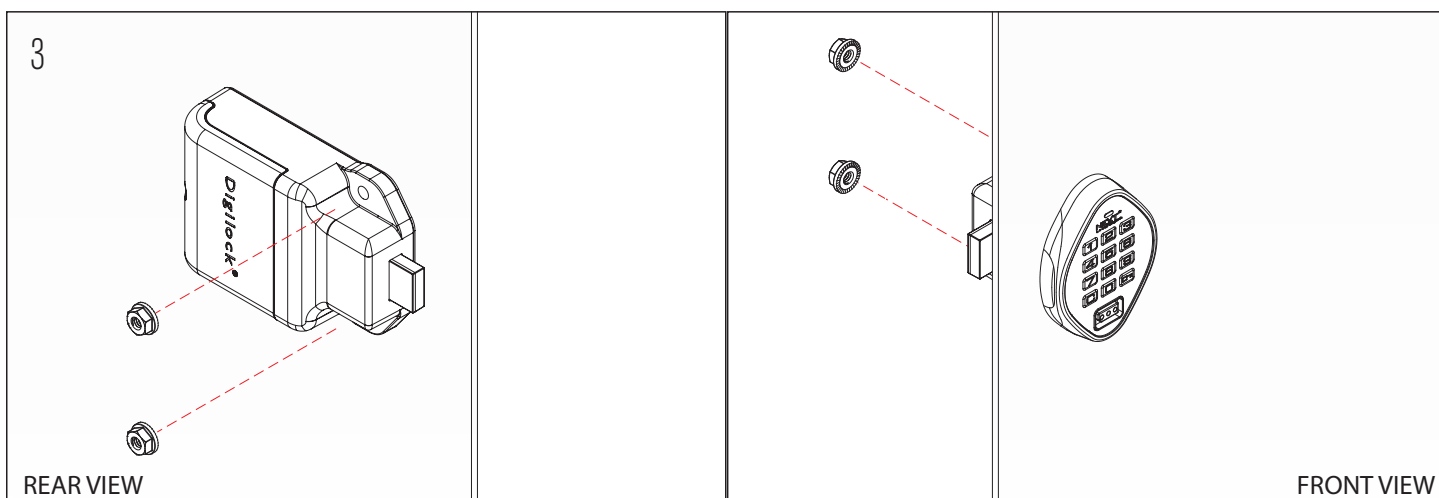


Insert the front unit screw posts through the door mounting holes.



Hold the front unit against the front of the door. Use the rear unit mounting holes as a guide, then slide the front and rear units together. Make sure the connector pins align properly with the connector.

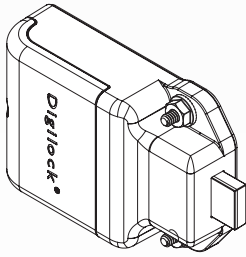
If properly connected, a triple beep will be heard and the LED will flash three times.



Insert the locking nuts on the screw posts and tighten using the ratchet/screw gun. Do not over tighten.



4



REAR VIEW

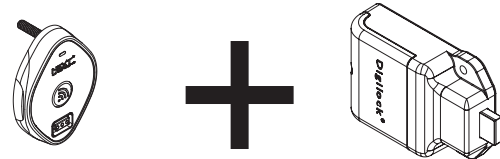
FRONT VIEW

Test the lock while the door is open to ensure that the bolt/latch is operating properly.



For keypad locks with deadbolt rear units:

Press to extend the bolt.  
Press again to retract the bolt.



For touch RFID locks with deadbolt rear units:

Press RFID to extend the bolt.  
Press RFID again to retract the bolt.



For keypad locks with deadlatch rear units:

Press to retract the latch.  
The latch will extend automatically.



For touch RFID locks with deadlatch rear units:

Press RFID to retract the latch.  
The latch will extend automatically.

Repeat test with the door closed.

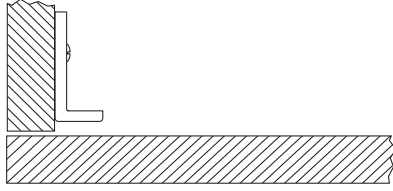

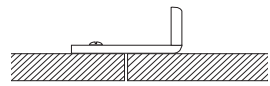
If ten rapid beeps are heard, the strike plate or door alignment may need adjustment to allow the lock to operate properly.


If the door does not lock when the bolt/latch is extended, the strike plate or lock position may need adjustment.


# Door Preparation

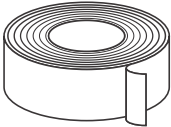
## Strike Plate Installation

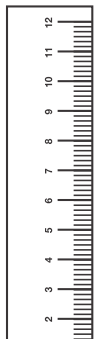
### Required Components

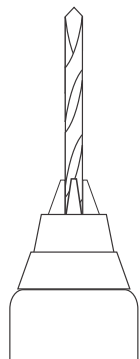
|  |  |
|--|--|
| Strike Plate*  | 1. A strike plate must be installed.   |
|  <p data-bbox="341 724 467 751">Angled Strike Plate</p> |  <p data-bbox="771 672 998 714">Security Strike Plate<br/><i>Recommended for latch products</i></p>  <p data-bbox="1136 661 1299 693">Double Door Strike Plate</p> |


|   |
|---|
| 1* - Phillips Head Screwdriver (#1)   |
|  |


|  |
|--|
| 1* - Pencil  |
|  |

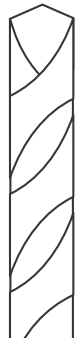
|  |
|--|
| Removable tape*  |
|  |

|  |
|--|
| 1* - Ruler   |
|  |

|   |
|---|
| 1* - Drill  |
|  |

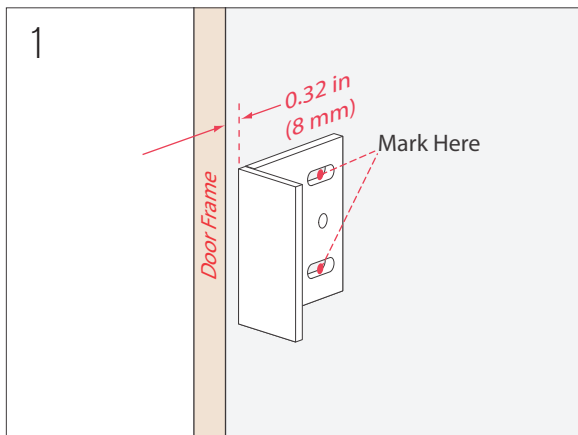
|   |
|---|
| 1* - 1/6" Drill bit   |
|  |

|   |
|---|
| 1* - 5/16" Drill bit  |
|  |

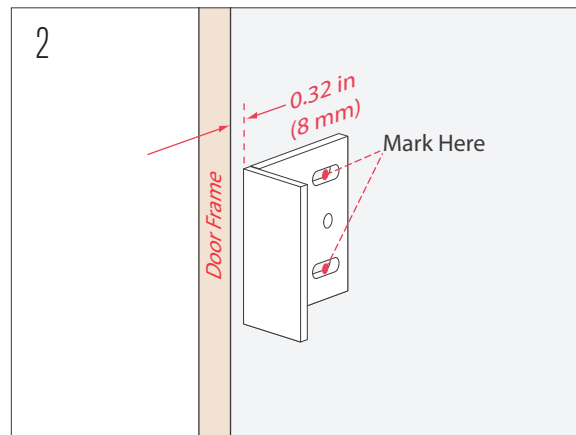
|   |
|---|
| 1* - 3/4" Drill bit   |
|  |

\*Not included

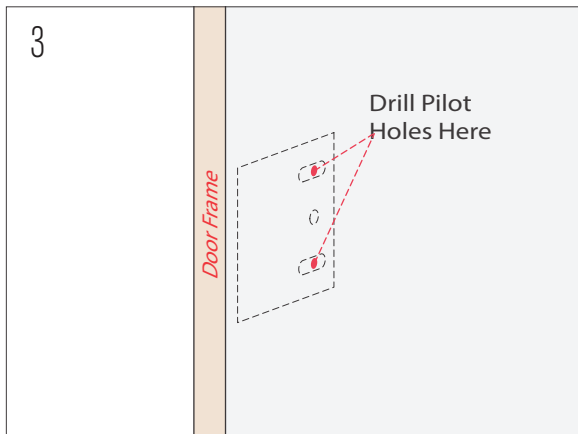
# Installation



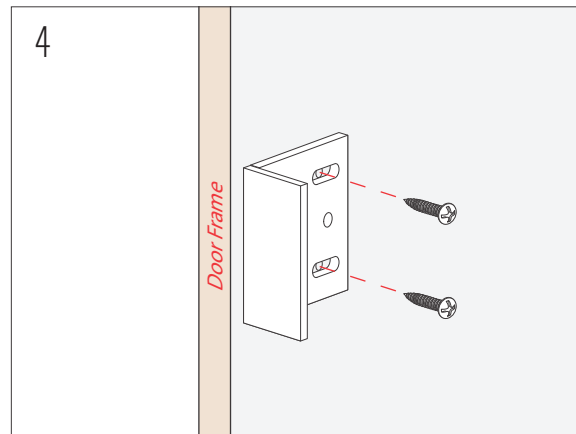
1  
Position the strike plate on the door frame aligning it with the center of the lock's mounting holes.



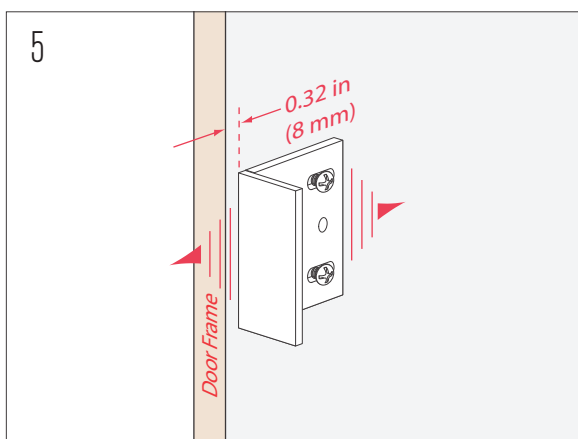
2  
Allow .32" (8 mm) from door edge and mark the position of the adjustment slot holes.



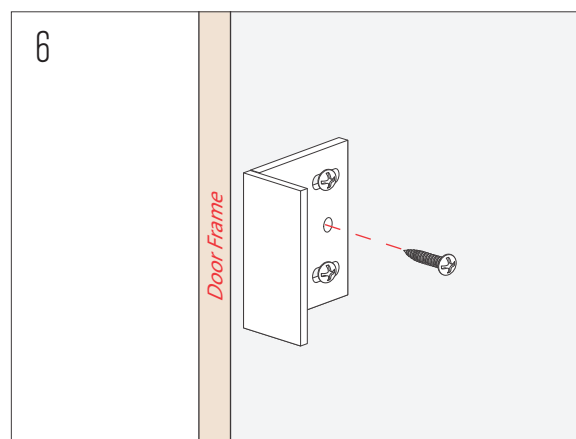
3  
Drill 0.25" (6.35 mm) pilot holes using a 1/6" drill bit.



4  
Position the strike plate and the self tapping screws into the adjustment slot holes. Do not tighten the screws.



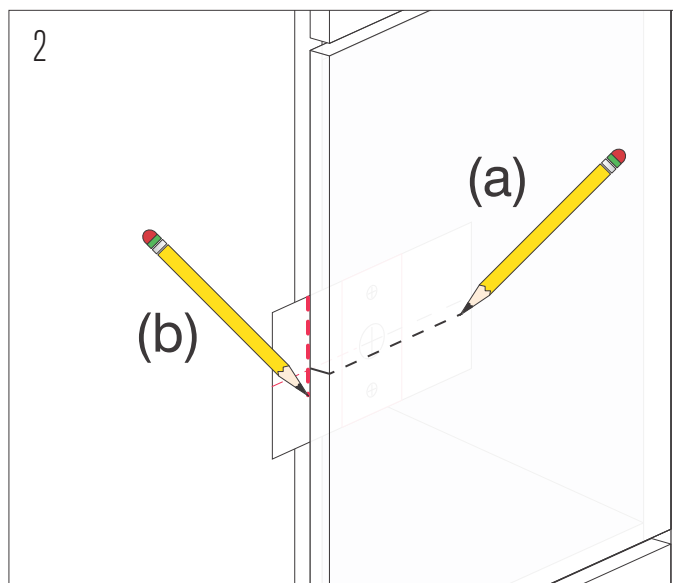
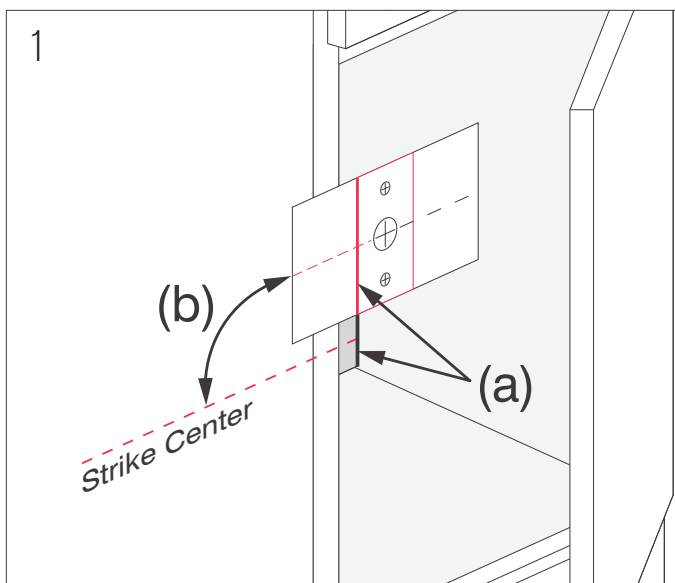
5  
Adjust the strike plate to the proper position (.32" (8 mm) from the door edge) then tighten the self tapping screws.



6  
Position and tighten the remaining self tapping screw into the center hole.

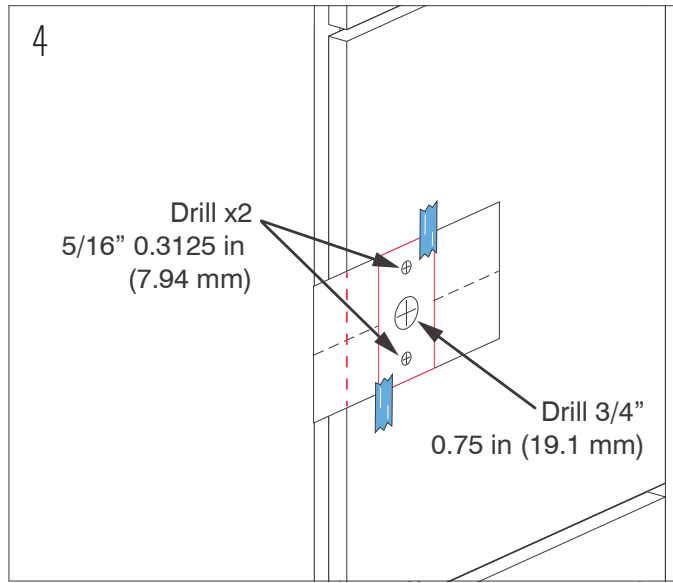
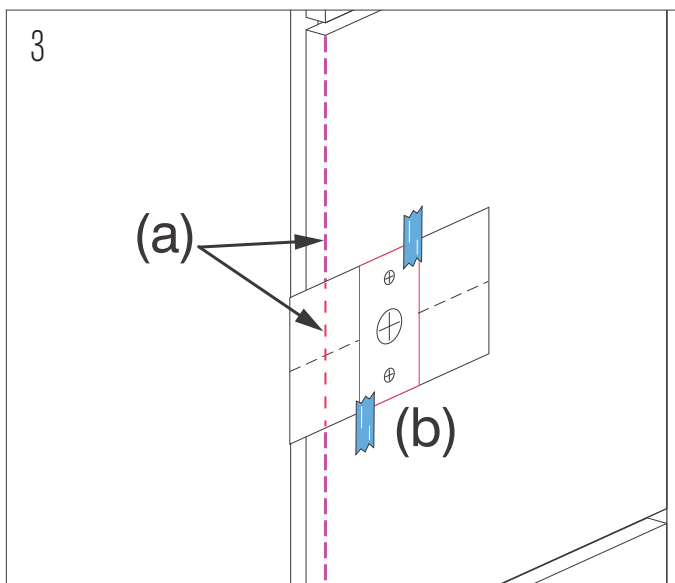
# Door Mounting Holes Drill Instruction and Template

## Drill Instructions



With the door open place the Template over the locker frame.  
(a) Align the Edge of Strike Plate with the Strike Plate Marker.  
(b) Center the Template to the center of the Strike Plate.  
You may secure the Template with removable tape.

Close the door over the Template.  
(a) Mark the door edge at the Template Center Line.  
(b) Mark the Template with the edge of the door.



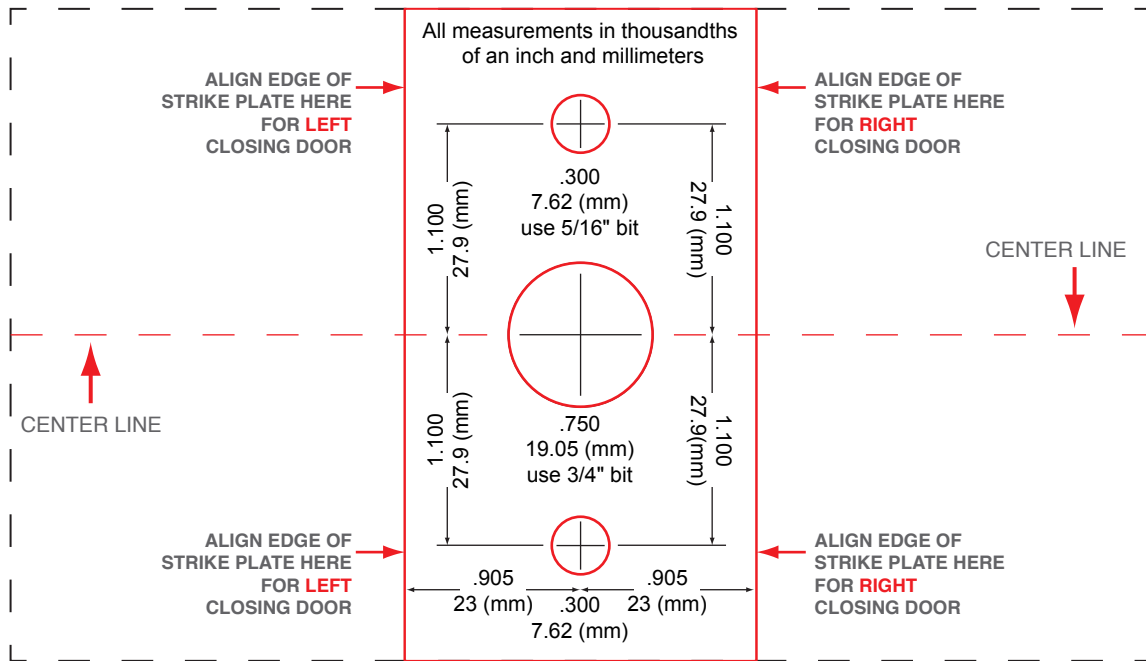
Place the Template on the front of the door.  
(a) Align the drawn mark on the Template with the door edge.  
(b) Center the Template with the mark on the door.  
Secure the Template with removable tape.

Mark the center points of the door mounting holes on the front of the door. Drill the holes according the specified dimensions.

# Template for Door Mounting Holes

Templates may not print to scale. Check all measurements before proceeding.

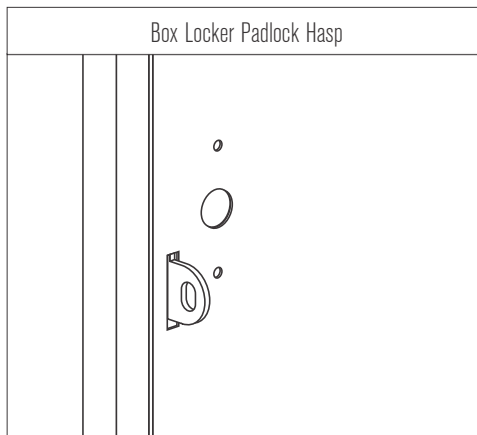
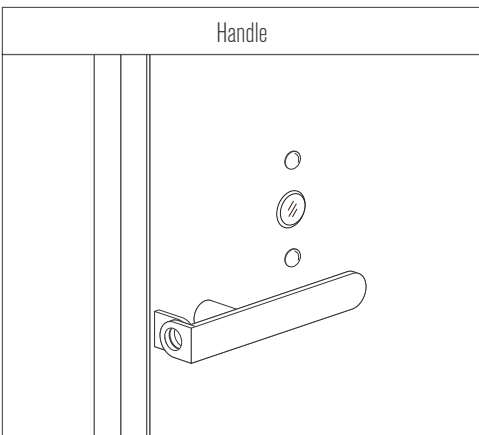
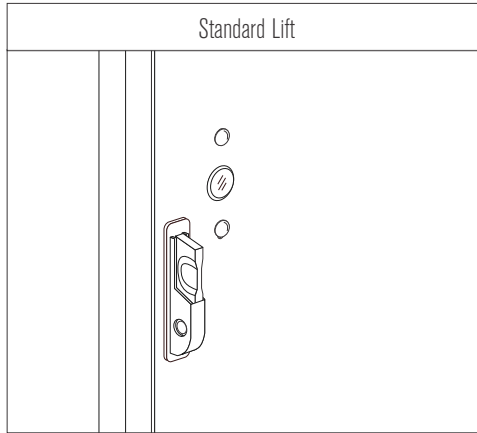
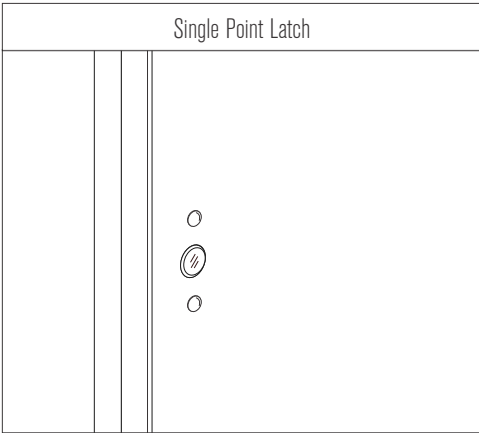
⚠ Before printing, turn off auto scaling in printer setup and print at 100% ⚠



# Metal Door Preparation

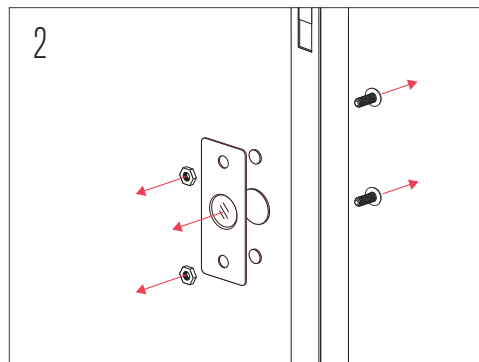
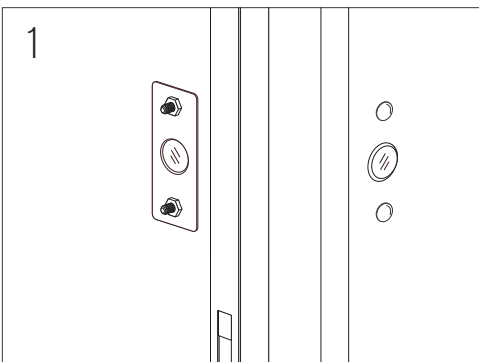
## Compatibility Guide

Digilock is compatible with a majority of 3-hole configuration, latch, and handle door types. Some doors may require modification to clear obstructions.



## Removal of 3-hole Lock Plug

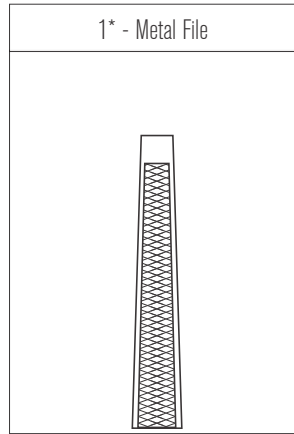
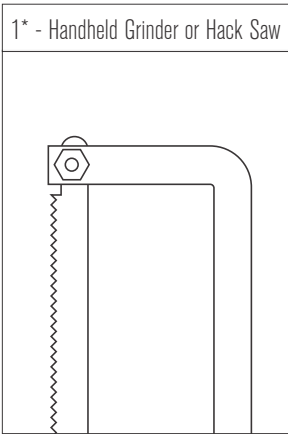
Remove any obstructions to the door mounting holes.



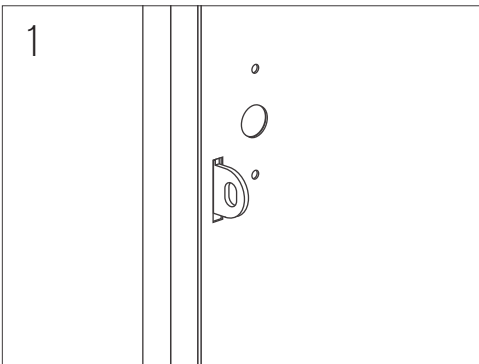
Rear View of Locker Door with Lock Plug

# Removal of Padlock Hasp

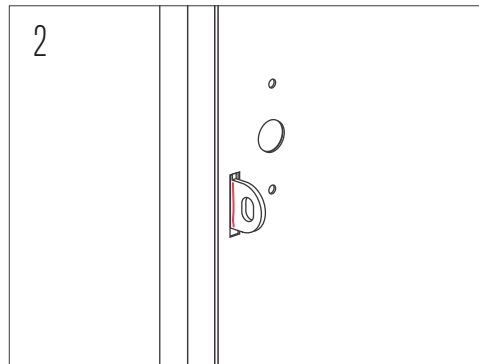
The padlock hasp must be removed



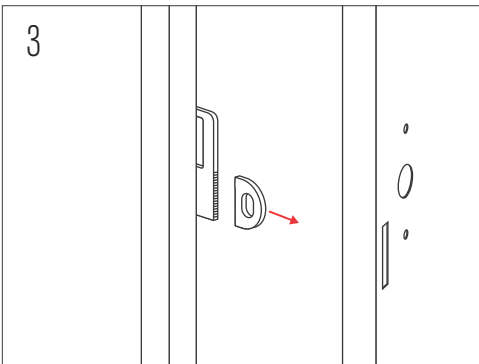
\*Not included



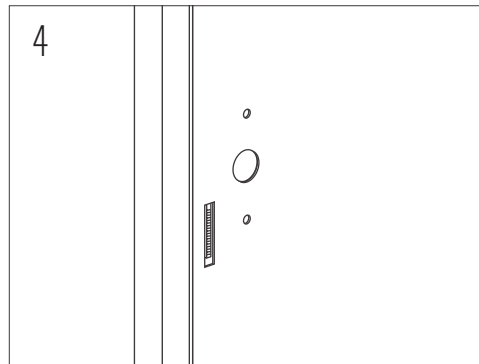
Close the door and make sure that nothing is protruding above the surface of the door.



Close the door and mark the area to cut the padlock hasp.



Open the door then cut the padlock hasp on the marked cut-line.



Smooth out rough or sharp edges.

